

**NEW PRODUCT PREVIEW**
**HCF SERIES**  
**COMMERCIAL SAND FILTERS**

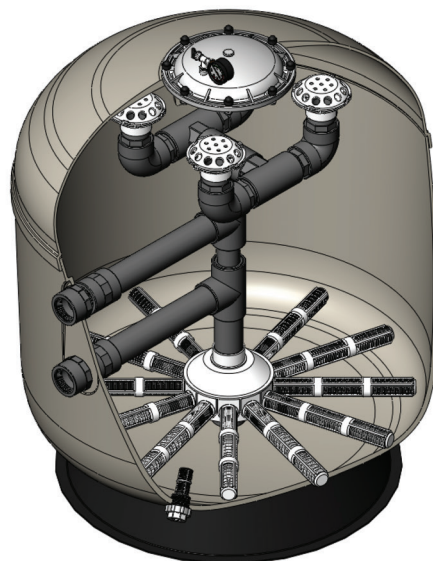
HCF Series sand filters set a new standard for performance and longevity in the recreational aquatics market. Designed to efficiently lengthen filter cycles, they are also simple to install and maintain, giving you years of effective, worry-free filtration performance.


**KEY FEATURES & BENEFITS**

- Available in 30", 34" and 36" Sizes
- 50PSI Max Working Pressure
- Flow Rates up to 143GPM
- EPDM O-ring and Seals
- UV-protectant gel coat protects the filter from the elements
- Transparent manway design simplifies operation and improves durability
- Dual-Head (HFC230) or Quad-Head (HFC234 and HFC236) diffusers provide optimized distribution
- Commercial-grade PVC and ABS injection-molded internals with 360° slotted laterals provide high performance and resistance in corrosive applications
- Industrial valve and pressure gauge configuration offer durability and increased accuracy
- NSF/ANSI50 Listed

**APPLICATIONS**

- Freshwater Aquariums
- Aquaculture and Fisheries
- Water Features
- Leisure Centers

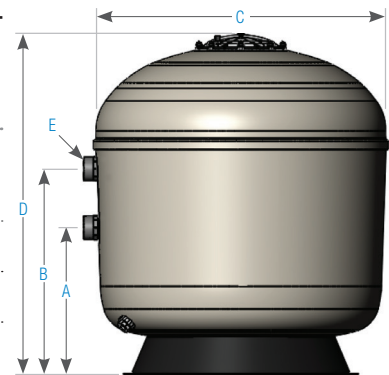


# HCF Series

## COMMERCIAL SAND FILTERS

### DIMENSIONS

FILTER MODEL NUMBER	DIMENSIONS (INCHES)					FILTER AREA		MAX FLOW RATE		FILTER SAND QTY. (LBS.)	INSTALLATION CLEARANCE (INCHES)
	A	B	C	D	E	SQ. FT.	SQ. M.	GPM	LPM		VERTICAL & HORIZONTAL
HCF230	16.5	24	31.49	43.48	2	5.0	.46	100	378	600.0	4
HCF234	18.75	26.25	33.85	43.48	2	6.0	.59	120	477	950.0	4
HCF236	18.75	26.25	37.4	43.48	2	7.2	.67	143	541	1200.0	4



### TECHNICAL SPECIFICATIONS & PERFORMANCE DATA

PART NUMBER	HCF230	HCF234	HCF236
Size of Fiberglass Sand Filter	30"	34"	36"
Filtration Area/ft <sup>2</sup>	5.0	6.0	7.2
Filtration Rate GPM/ft <sup>2</sup>	5 - 20	5 - 20	5 - 20
Filtration Flow Rate at 15 GPM/ft <sup>2</sup> (GPM)	75	90	108
Filtration Flow Rate at 20 GPM/ft <sup>2</sup> (GPM)	100	120	143
Backwash Flow Rate (GPM)	25 - 100	30 - 120	36 - 143
Maximum Working Pressure (PSI)	50	50	50
Installation Top Clearance	24"	24"	24"
Installation Side Clearance	4"	4"	4"
Inlet/Outlet Connections	2"	2"	2"
Carton Dimensions (L x W x H)	38 x 38 x 44	38 x 38 x 44	38 x 38 x 44
Carton Weight (lbs.)	80.0	100.0	120.0



Hayward is a registered trademark of Hayward Industries, Inc. © 2018 Hayward Industries, Inc.

NPP0318

Contact Hayward Flow Control with questions:

**USA:** 1.888.429.4635 • Fax: 1.888.778.8410 • One Hayward Industrial Drive • Clemmons, NC 27012 • Email: [hflow@hayward.com](mailto:hflow@hayward.com)  
**Canada:** 1.888.238.7665 • Fax: 1.905.829.3636 • 2880 Plymouth Drive • Oakville, ON L6H 5R4 • Email: [hflowcanada@hayward.com](mailto:hflowcanada@hayward.com)  
 Visit us at: [haywardflowcontrol.com](http://haywardflowcontrol.com)