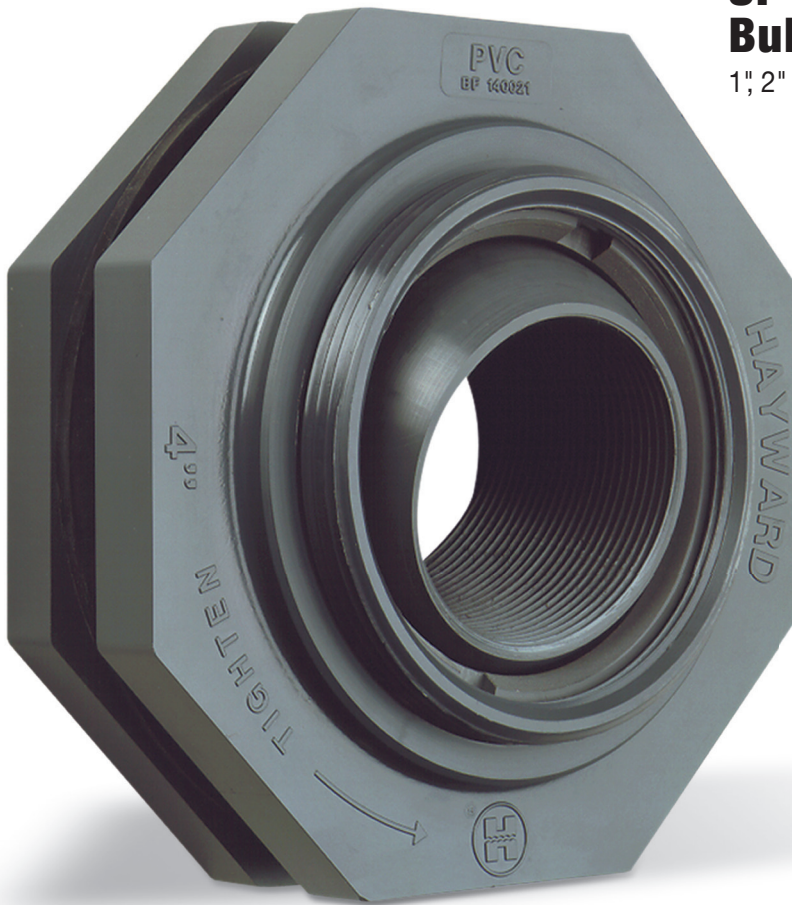


SF Series Self-Aligning Bulkhead Fittings

1", 2" AND 3" PVC



KEY FEATURES

- PVC
- Enables Easy Piping Connections to Domed Tanks
- Swivel Ball Connection Corrects for Curved Tanks
- Enables Straight Pipe Connections up to 27° of Offset Angle
- PTFE Ball Seat
- FPM or EPDM Gasket

TECHNICAL INFORMATION

ALTERNATE VIEW



SELECTION CHART

SIZE	MATERIAL	END CONNECTION	GASKETS	PRESSURE RATING
1" 2" and 3" (DN25, DN50 and DN80)	PVC	Thread x Thread	FPM or EPDM	75 PSI @ 70°F Non-Shock

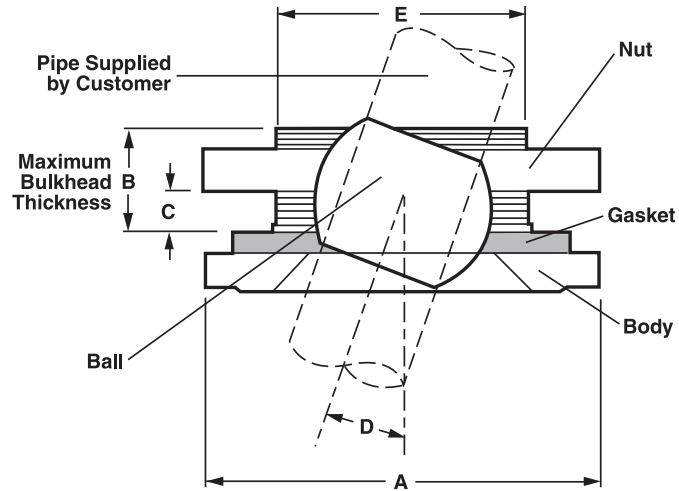
SF Series Self-Aligning Bulkhead Fittings

1", 2" AND 3" PVC

TECHNICAL INFORMATION, CONTINUED

MINIMUM INSIDE DIAMETERS OF TANKS FOR BULKHEAD FITTING INSTALLATION

SIZE in / DN	Min. Rigid Tank ID	Min. Flexible Tank ID
1 / 25	25.75"	19.38"
2 / 50	42.50"	36.25"
3 / 80	90.00"	76.81"

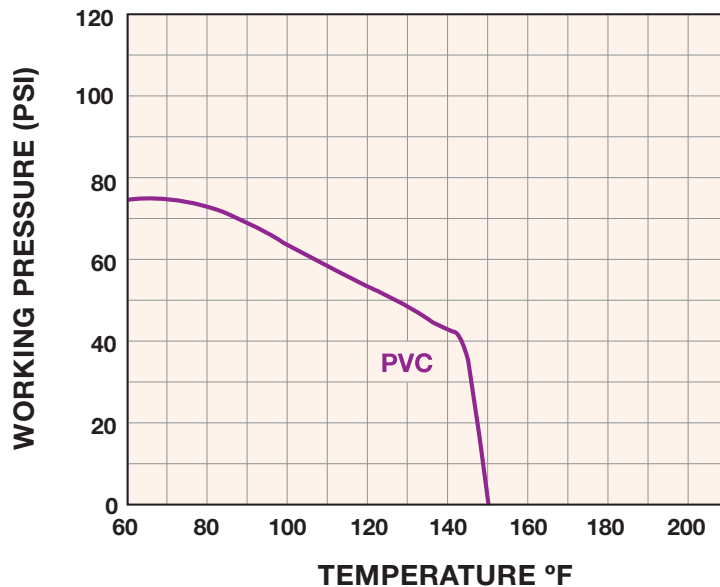


DIMENSIONS – INCHES / MILLIMETERS

SIZE in / DN	A in / mm	B in / mm	C in / mm	D angle	E in / mm	WEIGHT lbs / kg
1 / 25	4.38 / 111	2.00 / 51	1.25 / 32	27°	3.25 / 83	1.90 / .86
2 / 50	6.00 / 152	2.00 / 51	1.06 / 27	25°	4.50 / 114	4.80 / 2.18
3 / 80	8.75 / 222	2.50 / 64	1.25 / 32	20°	5.75 / 146	11.10 / 5.03

Dimensions are subject to change without notice – consult factory for installation information

OPERATING TEMPERATURE / PRESSURE



Hayward is a registered trademark of Hayward Industries, Inc. © 2011 Hayward Industries, Inc.

Contact Hayward Flow Control with questions: 1-888-429-4635 • Fax: 1-888-778-8410 • One Hayward Industrial Drive • Clemmons, NC 27012 • USA
Visit us at: www.haywardflowcontrol.com • E-mail: hflow@haywardnet.com