



HRSN3 Series ON/OFF/PROPORTIONAL ELECTRIC ACTUATORS

OVERVIEW

The HRSN3 Series are quarter-turn electric industrial service actuators delivering up to 1770 lbf-in torque in voltages ranging from 12V up through 480/3 in on/off or proportional control modes. Other Key Features include:

- Units are equipped with two (2) volt-free Form A Auxiliary switches rated at up to 10A 250vac
- ISO5211 compliant mounting with double square female drive inserts
- Raised visual position indicator
- Clutch-free manual override handwheel standard
- NEMA 4X/IP67 compliant
- Two (2) 3/4" EMT entry ports with sealed cable glands

OPTIONS

- Torque Switches
- Motor Control Centers
- Local Control Stations
- IP68 Submersion
- Battery Backup
- Supercap Backup
- Interchangeable ISO5211 Flange & Drives

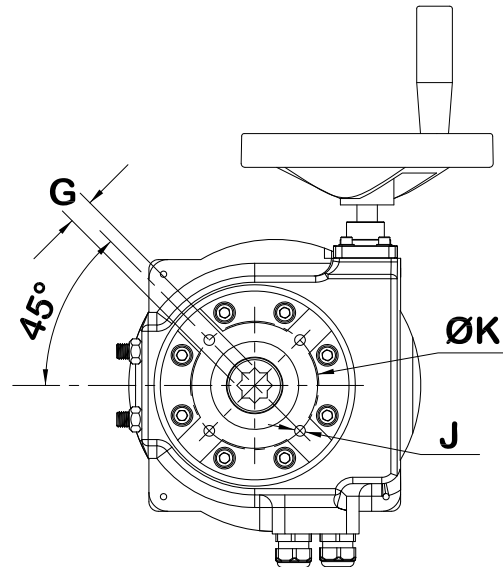
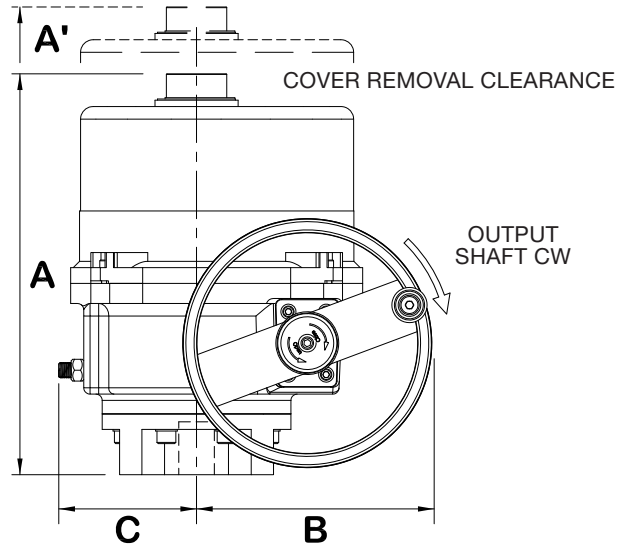
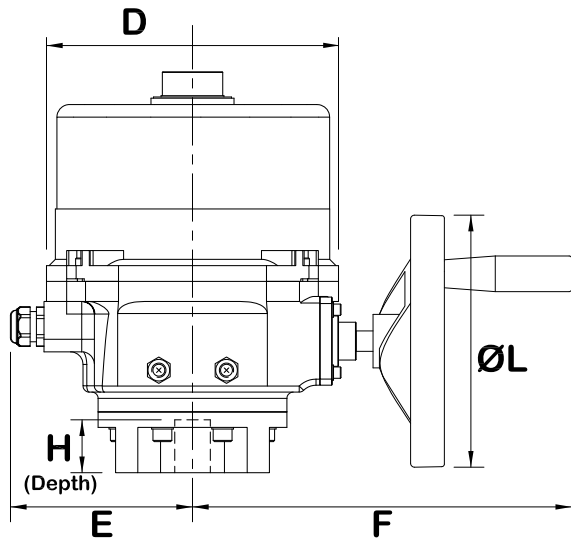
TECHNICAL INFORMATION

ACTUATOR SPECIFICATIONS		HRSN3A	HRSN3B
Supply	Torque Output (lbf-in / Nm)	880 / 100	1770 / 200
	Current Draw (Start / Run / LRA)	7.2A / 5.2A / 17.8A	7.2A / 5.2A / 17.8A
12VAC*	Speed (90°) DC, seconds	14	28
-	Motor - 12vdc Perm Magnet Brush Type	25W	25W
12VDC*	Duty Cycle (on/off / mod)	75%	75%
	Motor Starts, per hour, Max	1200	1200
	Motor Class	Class B	Class B
24VAC	Current Draw (Start / Run / LRA)	4.2A / 3.2A / 11A	4.2A / 3.2A / 11A
-	Speed (90°) DC, seconds	14	28
24VDC	Motor - 24vdc Perm Magnet Brush Type	25W	25W
	Duty Cycle (on/off / mod)	75%	75%
	Motor Starts, per hour, Max	1200	1200
	Motor Class	Class B	Class B
120V	Current Draw (Start / Run / LRA)	1.16A / 0.93A / 1.47A	1.16A / 0.93A / 1.47A
	Speed (90°) 60Hz / 50Hz, seconds	16 / 19	33 / 39
	Motor - 120vac Split-Phase Cap TENV	40W	40W
	Duty Cycle (on/off / mod)	25% / 75%	25% / 75%
	Motor Starts, per hour, Max	1200	1200
	Motor Protection, Temp / Class	135°C / Class F	135°C / Class F
230V	Current Draw (Start / Run / LRA)	0.54A / 0.42A / 0.66A	0.54A / 0.42A / 0.66A
	Speed (90°) 60Hz / 50Hz, seconds	16 / 19	33 / 39
	Motor - 230vac Split-Phase Cap TENV	40W	40W
	Duty Cycle (on/off / mod)	25% / 75%	25% / 75%
	Motor Starts, per hour, Max	1200	1200
	Motor Protection, Temp / Class	135°C / Class F	135°C / Class F
All	Electrical Entry (2)	3/4" EMT or Nylon gland	
	Control	On/Off or Proportional	
	Ambient Operating Range	-22°F to +158°F (-30°C to +70°C)	
	Humidity Range	0-95% RH	
	Altitude Limit	9850 ft / 3000 m	

*12V versions available custom order.

HRSN3 Series Electric Actuators

TECHNICAL INFORMATION, CONTINUED



DIMENSIONS

MODEL	A in/mm	A' in/mm	B in/mm	C in/mm	D in/mm	E in/mm	F in/mm	G* in/mm	H in/mm	J in/mm	K in/mm	L	WEIGHT lbs/kg	
HRSN3A	10.45/265	6/150	4.85/123	3.11/79	8.50/216	4.73/120	9.45/240	0.866/22 0.669/17	1.38/35	(4) M8 - 1.25 X 20mm D	F07 2.756/70	4.7/120	12.5 turns 90°	24.5/11
HRSN3B	10.45/265	6/150	4.85/123	3.11/79	8.50/216	4.73/120	9.45/240	0.866/22 0.669/17	1.38/35	(4) M8 - 1.25 X 20mm D	F07 2.756/70	4.7/120	12.5 turns 90°	24.5/11

*HRSN3 Series have 17mm & 22mm DSQ Drive Inserts (Dimension G) included as well.



Hayward is a registered trademark
of Hayward Industries, Inc.
© 2016 Hayward Industries, Inc.

Contact Hayward Flow Control with questions: **USA:** 1.888.429.4635 • Fax: 1.888.778.8410 • One Hayward Industrial Drive • Clemmons, NC 27012 USA
Canada: 1.888.238.7665 • Fax: 1.905.829.3636 • 2880 Plymouth Drive • Oakville, ON L6H 5R4 Canada • Email: hflowcanada@hayward.com
Visit us at: www.haywardflowcontrol.com • Email: hflow@hayward.com