



HRSN6 Series ON/OFF/PROPORTIONAL ELECTRIC ACTUATORS

OVERVIEW

The HRSN6 Series are quarter-turn electric industrial service actuators delivering up to 71,200 lbf-in torque in voltages ranging from 120VAC up through 480/3 in on/off or proportional control modes.

Other Key Features include:

- Units are equipped with two (2) volt-free Form A Auxiliary switches rated at up to 10A 250vac
- ISO5211 compliant mounting with double square female drive
- Flat visual position indicator
- Clutch-free manual override handwheel standard
- NEMA 4X/IP67 compliant
- Two (2) 3/4" EMT entry ports with sealed cable glands

OPTIONS

- Torque Switches
- Motor Control Centers
- Local Control Stations
- IP68 Submersion
- Battery Backup

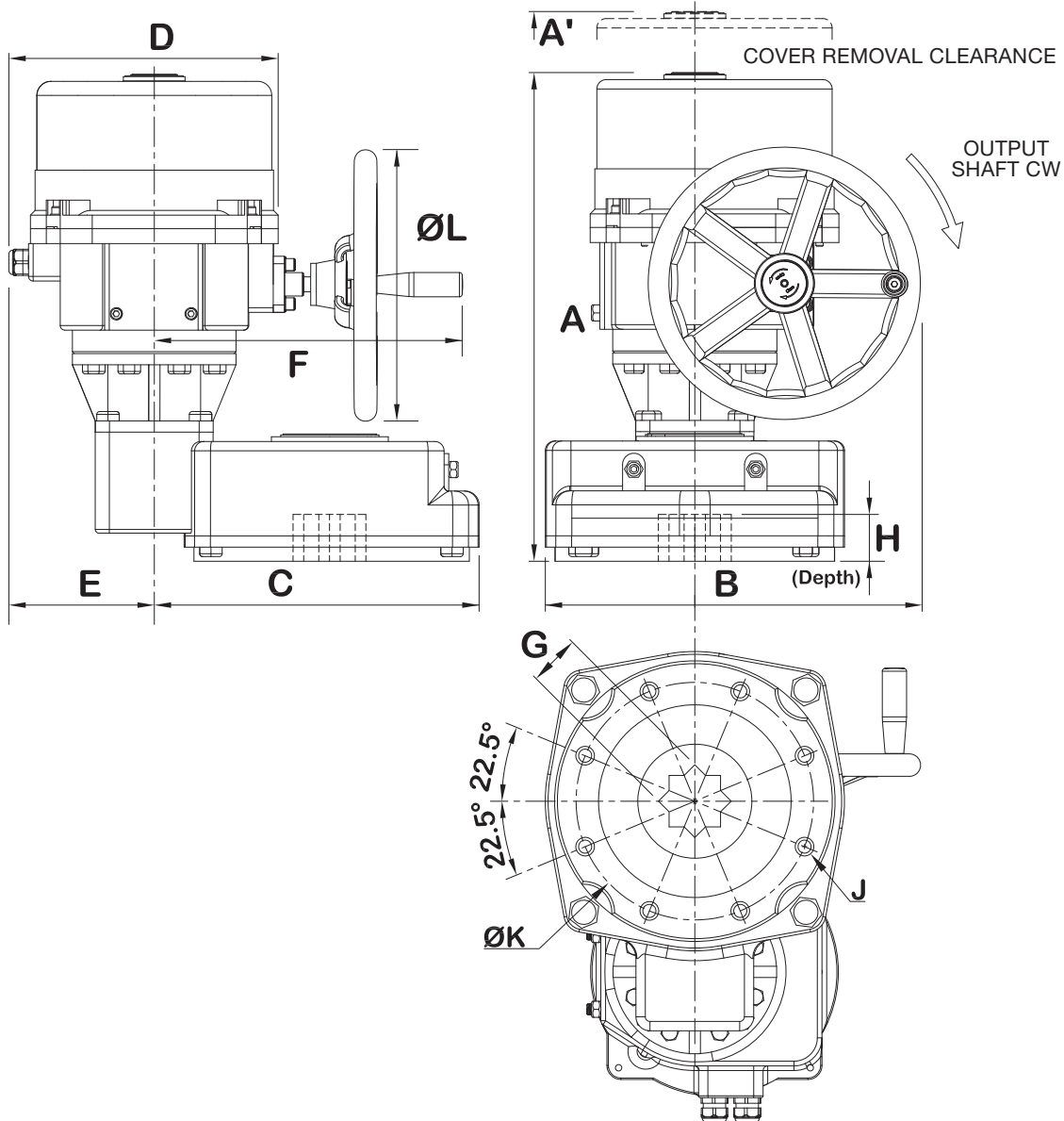
TECHNICAL INFORMATION

ACTUATOR SPECIFICATIONS		HRSN6A
Supply*	Torque Output (lbf-in / Nm)	71,200 / 8000
120V	Current Draw (Start / Run / LRA)	7.2A / 4.5A / 9.4A
	Motor - 120vac Split-Phase Cap TENV / Protection / Class	200W / 135°C / Class F
230V	Current Draw (Start / Run / LRA)	4.05A / 2.2A / 4.5A
	Motor - 230vac Split-Phase Cap TENV / Protection / Class	200W / 135°C / Class F
220/3ph	Current Draw (Start / Run / LRA)	3.58A / 1.33A / 4.52A
	Motor - 220/3 Polyphase TENV / Protection / Class	200W / 135°C / Class F
315/3ph	Current Draw (Start / Run / LRA)	2.5A / 1.3A / 3.16A
	Motor - 315/3 Polyphase TENV / Protection / Class	200W / 135°C / Class F
380/3ph	Current Draw (Start / Run / LRA)	2.1A / 1.1A / 2.6A
	Motor - 380/3 Polyphase TENV / Protection / Class	200W / 135°C / Class F
440/3ph	Current Draw (Start / Run / LRA)	1.5A / 0.95A / 2.3A
	Motor - 440/3 Polyphase TENV / Protection / Class	200W / 135°C / Class F
480/3ph	Current Draw (Start / Run / LRA)	1.2A / 0.87A / 2.1A
	Motor - 480/3 Polyphase TENV / Protection / Class	200W / 135°C / Class F
All	Speed (90°) 60Hz / 50Hz	120 sec / 143 sec
	Motor Starts	1200 per hour
	Duty Cycle (on/off / mod)	25% / 50%
	Control	on/off or proportional
	Electrical Entry (2)	3/4" EMT or Nylon Gland
	Ambient Operating Range	-22°F to +158°F (-30°C to +70°C)
	Humidity Range	0-95% RH
	Altitude Limit	9850 ft / 3000 m

*HRSN6 not available below 120vac supply.

HRSN6 Series Electric Actuators

TECHNICAL INFORMATION, CONTINUED



DIMENSIONS

MODEL	A in/mm	A' in/mm	B in/mm	C in/mm	D in/mm	E in/mm	F in/mm	G* in/mm	H in/mm	J* in/mm	K* in/mm	L	WEIGHT lbs/kg	
HRSN6A	22.56/573	9.83/250	15.75/400	13.50/343	11.54/293	6.34/161	12.76/324	2.165/55	5.12/130	(8) M16 - 2.0 X 35mm D	F25 10.0/254	11.42/ 290	48 turns 90°	235/107



Hayward is a registered trademark
of Hayward Industries, Inc.
© 2016 Hayward Industries, Inc.

Contact Hayward Flow Control with questions: **USA:** 1.888.429.4635 • Fax: 1.888.778.8410 • One Hayward Industrial Drive • Clemmons, NC 27012 USA
Canada: 1.888.238.7665 • Fax: 1.905.829.3636 • 2880 Plymouth Drive • Oakville, ON L6H 5R4 Canada • Email: hflowcanada@hayward.com
Visit us at: www.haywardflowcontrol.com • Email: hflow@hayward.com