

NEW PRODUCT PREVIEW
NEW MATERIAL
**TB Series
True Union Ball Valves**
**1/2" TO 2" GLASS FILLED
POLYPROPYLENE**

KEY FEATURES

- New GFPP Platinum Material with Higher Temperature Rating vs. Standard PP
- Rated at 250 PSI for Non-Shock Water Service at 70°F / 150 PSI Non-Shock with Threaded or Flanged Ends
- FPM or EPDM Seals
- Adjustable Seat Retainer
- Full Port Design
- Reversible PTFE Seats
- Double O-Ring Stem Seals
- Easily Actuated

OPTIONS

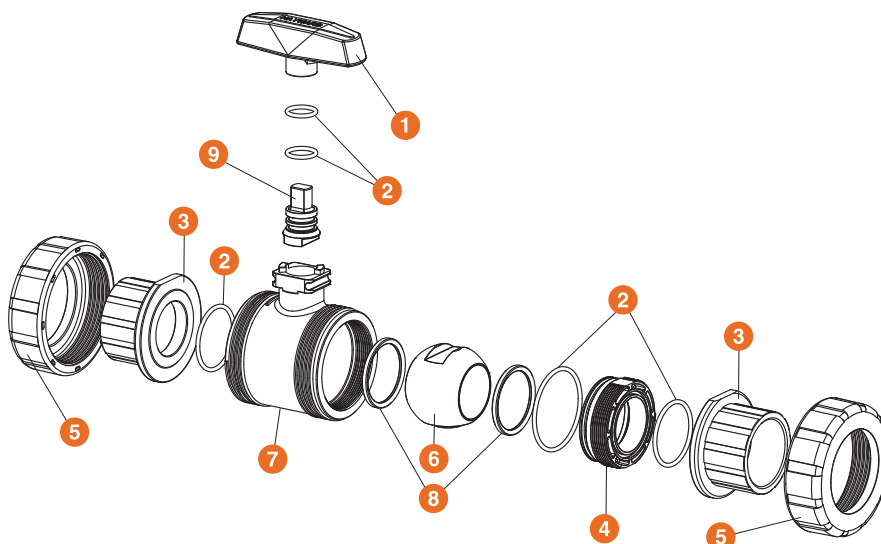
- Socket Fusion End Connectors – Coming Soon!
- Flanged Ends
- Lockouts Available
- 2" Square Operating Nut
- Stem Extensions
- Pneumatic and Electric Actuated
- Manual Limit Switch or Spring Return Handle

TYPICAL APPLICATIONS

- Water and Wastewater Treatment
- Chemical Processing
- Aquatic and Animal Life Support Systems
- Pharmaceutical
- Metal Finishing and Plating
- Pulp and Paper
- Marine and Corrosive Environments

MATERIALS

- GFPP per ASTM D4101 Cell Class 85590
- FPM and EPDM O-Ring Seals

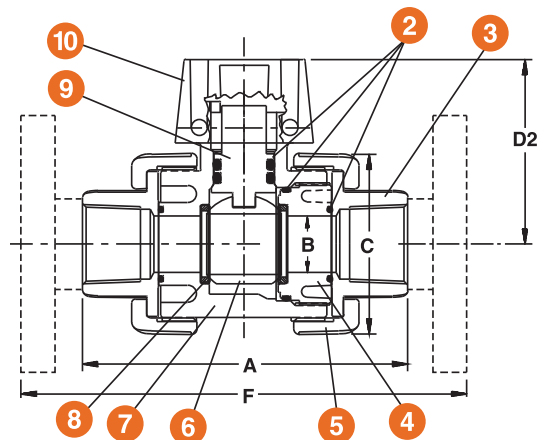
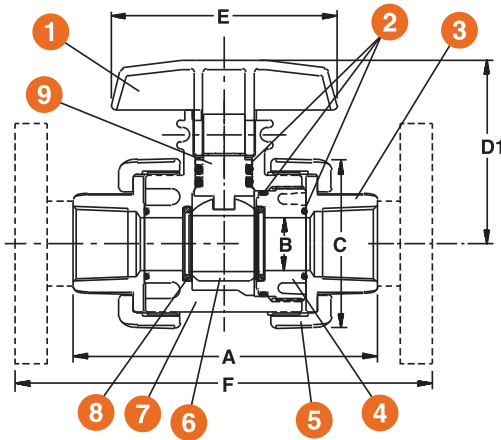
EXPLODED VIEW


TB Series True Union Ball Valves

1/2" TO 2" GFPP

PARTS LIST

1. Handle (GFPP)
2. O-Ring Seals
3. End Connector
4. Seal Retainer
5. Union Nut
6. Ball
7. Body
8. PTFE Seat
9. Stem
10. Actuator Mounting Pad



DIMENSIONS – INCHES / MILLIMETERS

SIZE in / DN	A in / mm	B in / mm	C in / mm	D1 in / mm	D2 in / mm	E in / mm	F in / mm	WEIGHT lbs / kg	
								THD	FLANGED
1/2 / 15*	4.77 / 121	.50 / 13	2.25 / 57	2.81 / 71	2.63 / 67	3.50 / 89	6.75 / 171	.75 / .34	1.00 / .45
3/4 / 20*	4.85 / 123	.75 / 19	2.63 / 67	3.02 / 77	2.81 / 71	3.50 / 89	7.13 / 181	.75 / .34	1.00 / .45
1 / 25*	5.44 / 138	.93 / 24	3.00 / 76	3.26 / 83	3.05 / 77	4.00 / 102	8.09 / 205	1.15 / .52	2.15 / .98
1-1/4 / 32*	6.30 / 160	1.50 / 38	4.00 / 102	3.92 / 100	3.48 / 88	5.00 / 127	9.19 / 233	2.15 / .98	3.50 / 1.59
1-1/2 / 40*	6.85 / 174	1.50 / 38	4.00 / 102	3.92 / 100	3.48 / 88	5.00 / 127	9.88 / 251	2.15 / .98	3.75 / 1.70
2 / 50*	8.00 / 203	1.94 / 49	4.75 / 121	4.43 / 113	4.00 / 102	5.00 / 127	11.4 / 290	3.80 / 1.72	6.30 / 2.86

Dimensions are subject to change without notice – consult factory for installation information

* Metric End Connections Available In: BSP – Straight Thread, BSP TR – Tapered Thread

Cv VALUES

SIZE in / DN	Cv VALUES GPM	SIZE in / DN	Cv VALUES GPM
1/4 / 8	1.0	1 / 25	29.0
3/8 / 10	2.8	1-1/4 / 32	75.0
1/2 / 15	8.0	1-1/2 / 40	90.0
3/4 / 20	16.0	2 / 50	150.0

PRESSURE LOSS CALCULATION FORMULA

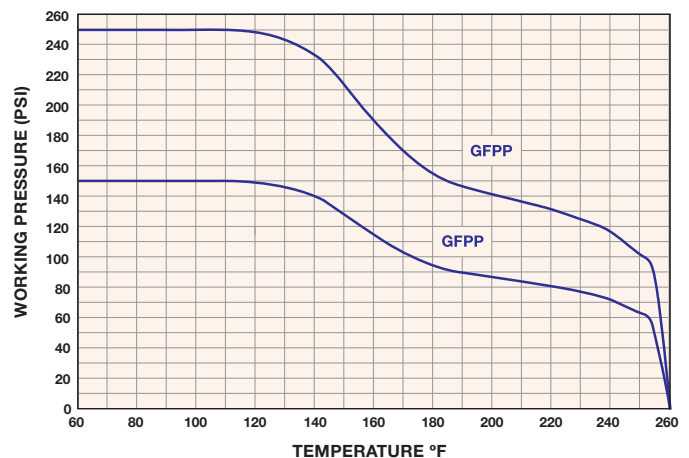
$$\Delta P = \left[\frac{Q}{C_v} \right]^2$$

ΔP = Pressure Drop

Q = Flow in GPM

Cv = Flow Coefficient

OPERATING TEMPERATURE / PRESSURE



Hayward is a registered trademark of Hayward Industries, Inc. © 2012 Hayward Industries, Inc.

NPP-0412A 22902SA042312KW